

EUP6A-1W12V-0

Feature

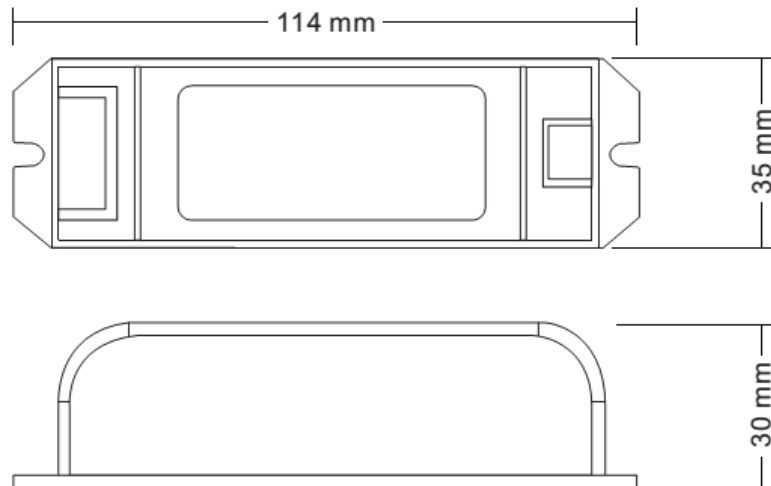
- Single channel constant voltage, 12VDC output.
- Support passive 0-10V analog Dimming signal.
- Wide range voltage Input 100V-240VAC.
- Dimming effect smooth, no flicker.
- Max current 500mA.
- Input & output isolated electrically.



Technical Parameters

Output Channel	1 Channel
Input Voltage	100-240 VAC
Input Frequency	50/60 Hz
Dimming mode	0-10V
Output Voltage	DC12V
Output Current/Each Channel	500mA Max
Output Power	6W
Size	114mm*35mm*30mm
G.W.(g)	65g
Operating Temperature	-20°C - 50°C

Dimensions



Connection Diagram

